

# EH4/w, EH3/w, EH4/w/ss, EH3/w/ss Housings

## Setup and Installation Manual

December 2019

Rev 3.0



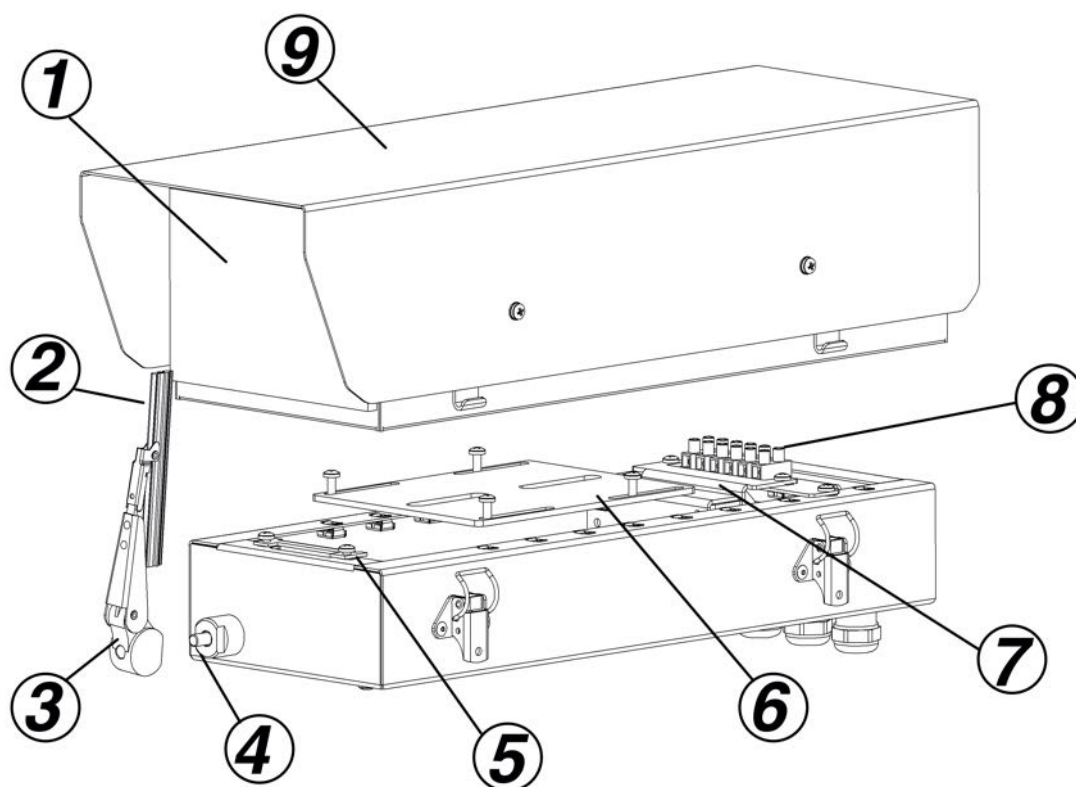
## Contents

Box Contents .....	4
Introducing the EH Series Camera Housing.....	5
Required Items for Installation.....	5
Assembly and Installation.....	6
Physical Assembly.....	6
Terminal Rail.....	6
Operational Instructions.....	7
Standard Version .....	7
Wipered Version.....	7
Safety Chain.....	7
Technical Specification .....	7
Power Consumption .....	7
General .....	7
Dimensions .....	8
Environmental .....	8
Certifications.....	8
Warranty Information .....	8
About the EH Camera Housing .....	8
Contact us.....	9

## Box Contents

- Camera housing
- Camera mounting platform
- 4 x M4 x 12 screws
- 4 x M4 cage nut
- 4 x M6 x 25 hex head stainless steel bolts
- 4 x M6 washer stainless steel
- 1 x Insulating washer
- 1 x Insulating shoulder washer
- 1 x Quarter Whitworth camera bolt
- 2 x Earth leads
- 1 x Black cable tie
- 3 x M20 cable glands

## Introducing the EH Series Camera Housing



1	6mm glass screen
2	Wiper blade
3	Wiper arm
4	Wiper nose cone
5	Heater / demister
6	Camera mounting platform
7	Wiper motor
8	Terminal rail

### Required Items for Installation

You will need the following -

- Terminal screwdriver
- Pozidriv™ screwdriver
- Spanner suitable for quarter Whitworth camera bolt
- Spanner suitable for M6 hexagon bolt
- Cable dressing tools

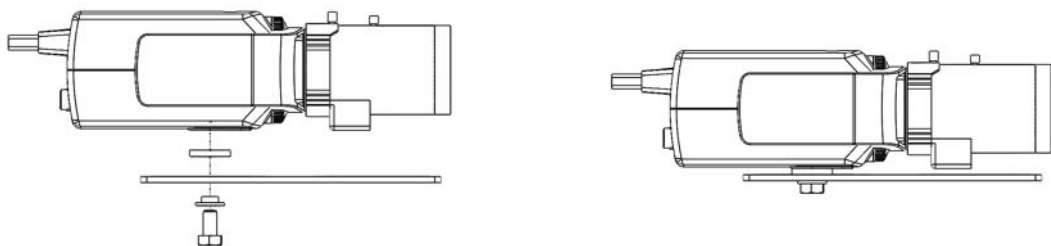
## Assembly and Installation

Each installation may vary depending the choice of camera, power and media. The following is a typical installation.

### Physical Assembly

The camera housing contains a kit of components to mount the camera / lens assembly on an aluminium mounting plate.

Place the rubber insulating washer on the plate with the camera on top. From the rear of the plate insert the camera mounting bolt through the insulating shoulder washer, through the plate and into the camera.

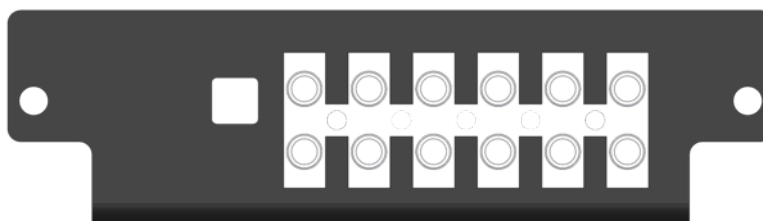


Be careful not to over-tighten but ensure that the camera is securely fitted so as not to move laterally.

Place the camera plate onto the base and identify the optimum position for the camera mounting plate. The lens should be as close to the glass as possible but ensure that the lens will not foul the camera housing lid.

Insert four M4 cage nuts into the camera housing base in position where the camera plate will be secured. Fit the camera mounting plate into this position with the four supplied screws.

### Terminal Rail



The standard terminal rail allows you to connect the heater and earth cables to your incoming power and earth. The housing is supplied with an earth lead to connect the base to the middle and then into the terminal rail ready for your connection.

The remaining terminals are left empty for your individual requirements.

## Operational Instructions

### Standard Version

After assembly of the camera and connecting the heater to the terminal rail the housing is ready to use. The heater will draw a variable amount of current depending on conditions. There is an initial in-rush current on the heater of 1amp, this lasts no more than a few milli-seconds. Typically the power consumption is 300mA.

### Wipered Version

The housing should be assembled as per the standard unit. The terminal rail is pre-wired to the inside of the camera housing. The connections are as follows –

	<b>24VAC</b>	<b>220-230VAC</b>
<b>PERMANENT LIVE</b>	Single brown	Single brown
<b>NEUTRAL</b>	Single blue	Yellow
<b>SWITCHED LIVE</b>	Blue / red	Red / violet

### Safety Chain

The base and the camera housing top have a stainless-steel chain. These can be joined during the installation process to prevent the lid from falling and being damaged.

## Technical Specification

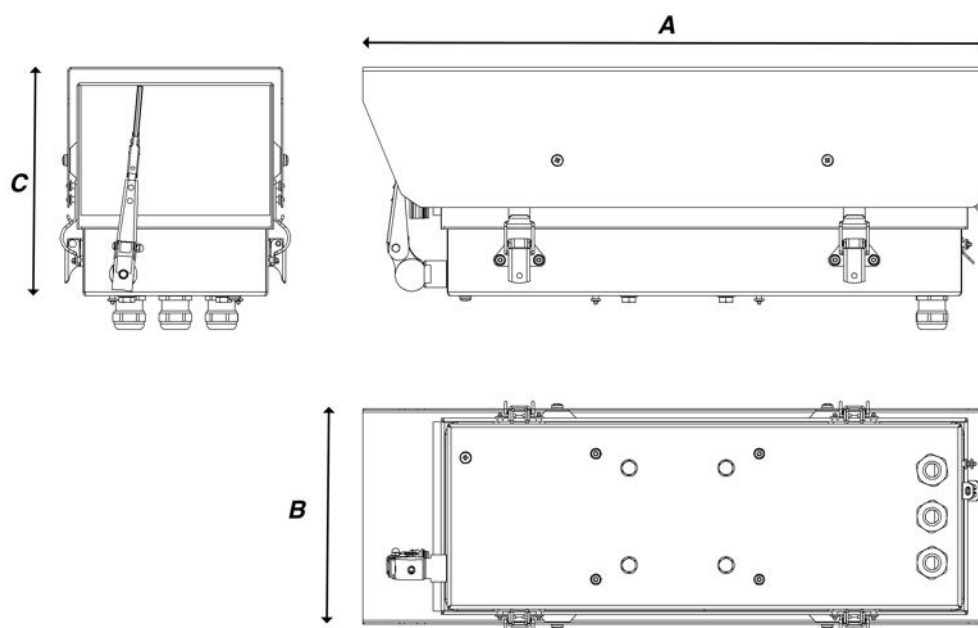
### Power Consumption

<b>12-36v (standard)</b>	11watts
<b>110-230vac (standard)</b>	11watts
<b>24vac (wipered)</b>	17watts
<b>230vac (wipered)</b>	17watts

### General

<b>Construction (Standard)</b>	1050 grade aluminium body and visor Stainless steel fixings and fastenings
<b>Construction (Stainless Steel)</b>	316 stainless steel Stainless steel fixings and fastenings
<b>Finish (Standard)</b>	Ral7035 body and lid Ral9010 sunshield
<b>Finish (Stainless Steel)</b>	Natural
<b>Mounting</b>	4 x M6 fixings on a 4" PCD
<b>IP rating</b>	IP66
<b>Cable entry</b>	3 x M20 cable glands

## Dimensions



Overall Size	EH4	EH3
A	463	570
B	159	190
C	169	206

## Environmental

Environment: -10°C - + 55°C

## Certifications

CE compliant

## Warranty Information

The EH series camera housing comes with a 2-year warranty as standard. The warranty covers the EH series housing against manufacturing failure and is on a return to manufacturer basis.

In the unlikely event that you have a problem with the product please contact us at the address on in the Contact Us section of this manual.

## About the EH Camera Housing

The EH series washer is designed and manufactured by ITS-Products in the UK.



## Contact us

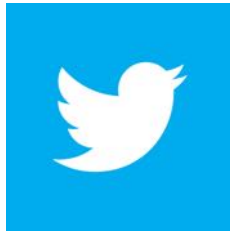
ITS Products Limited  
Unit 18 Tavis House Business Centre  
Pegasus Way, Haddenham  
HP17 8ZD  
United Kingdom

Tel 01865 818900  
support@its-products.co.uk  
www.its-products.co.uk





Follow us on Twitter



**@its-products**



Regional Distributor

