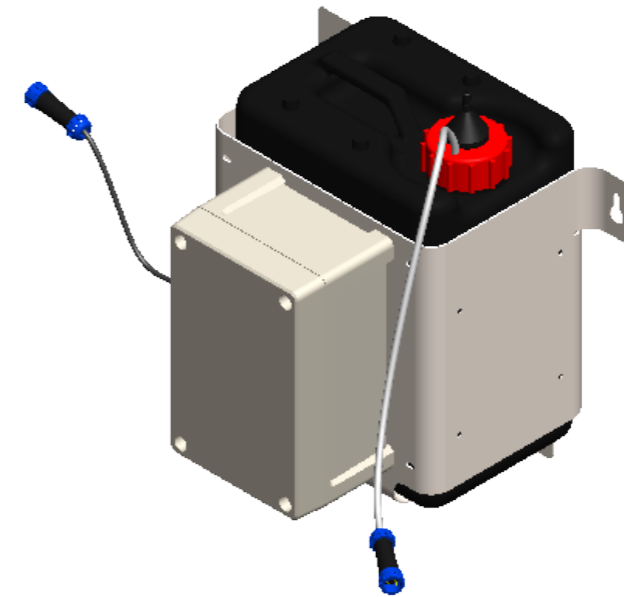
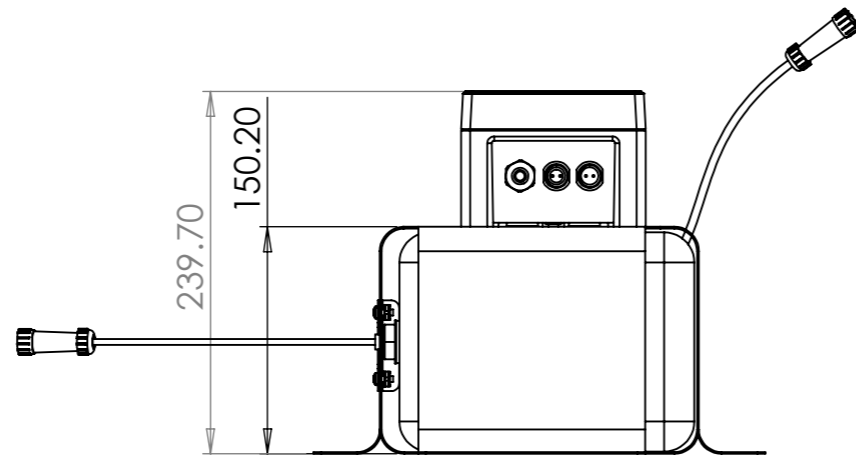
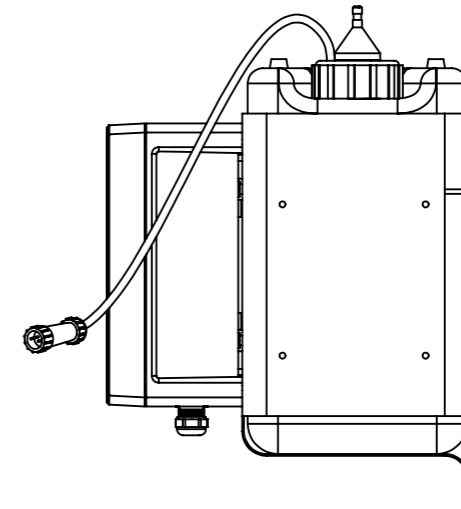
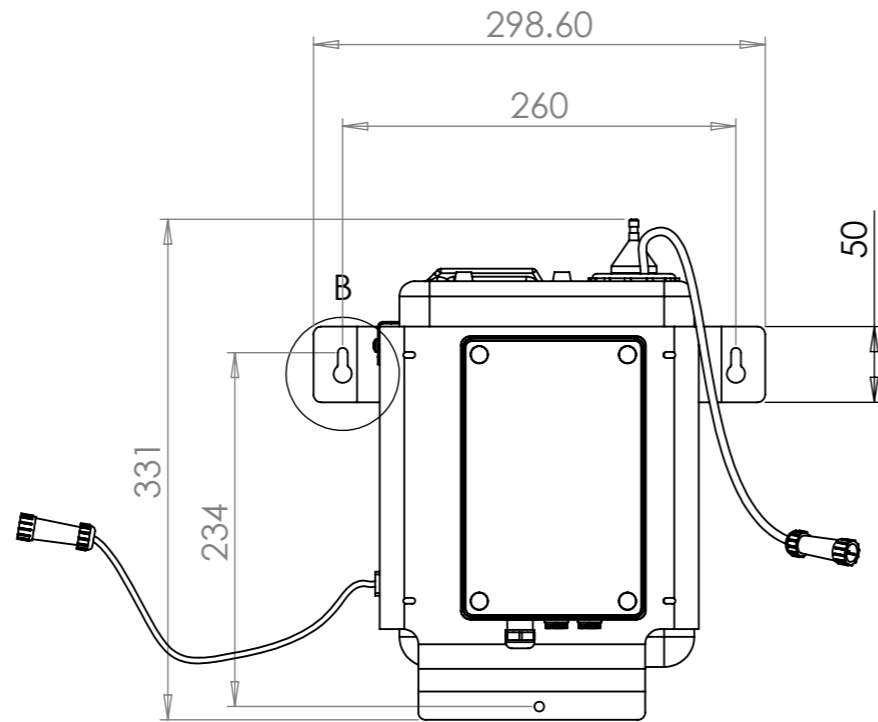
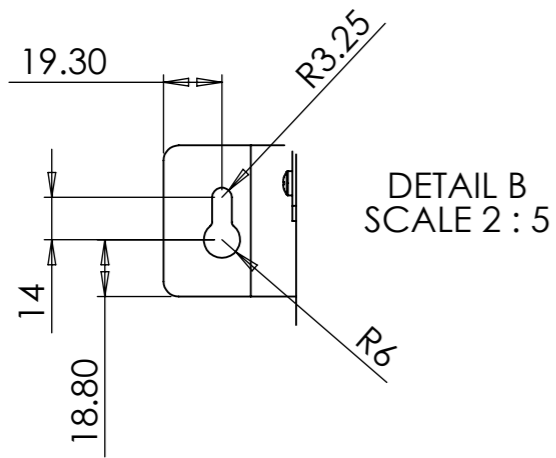


Default

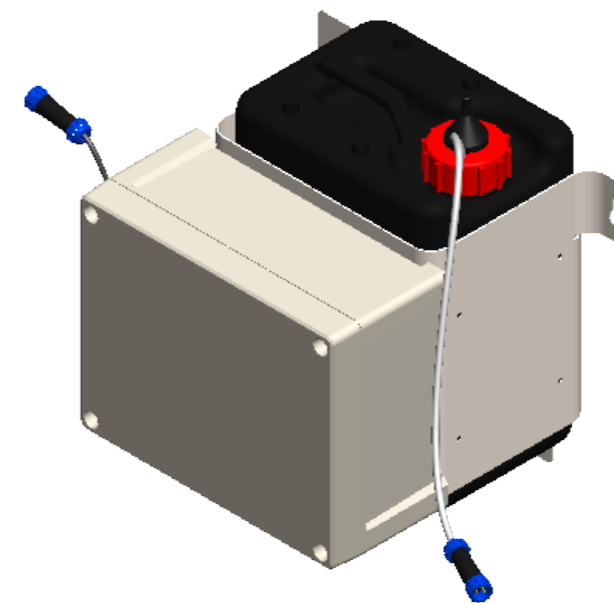
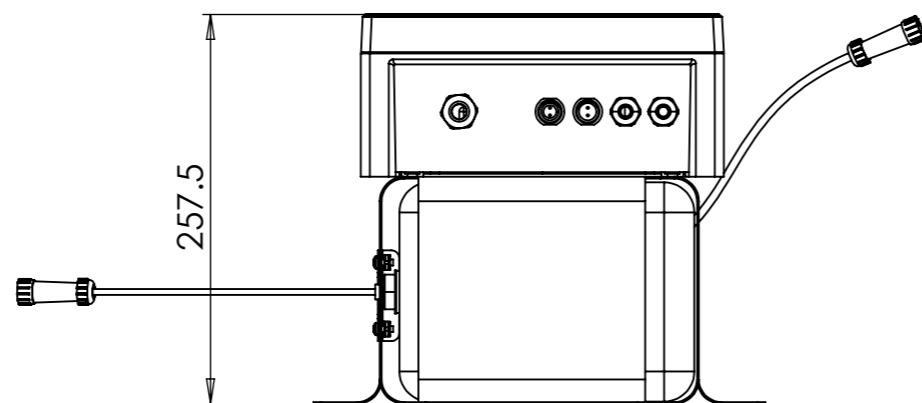
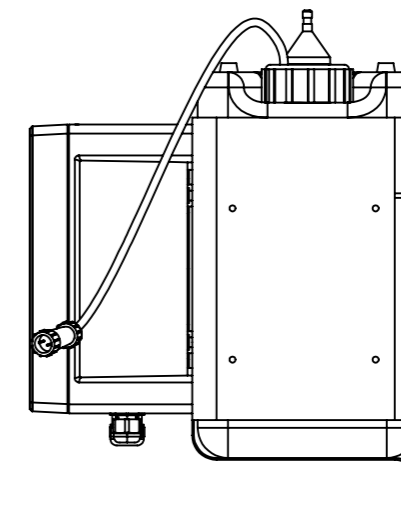
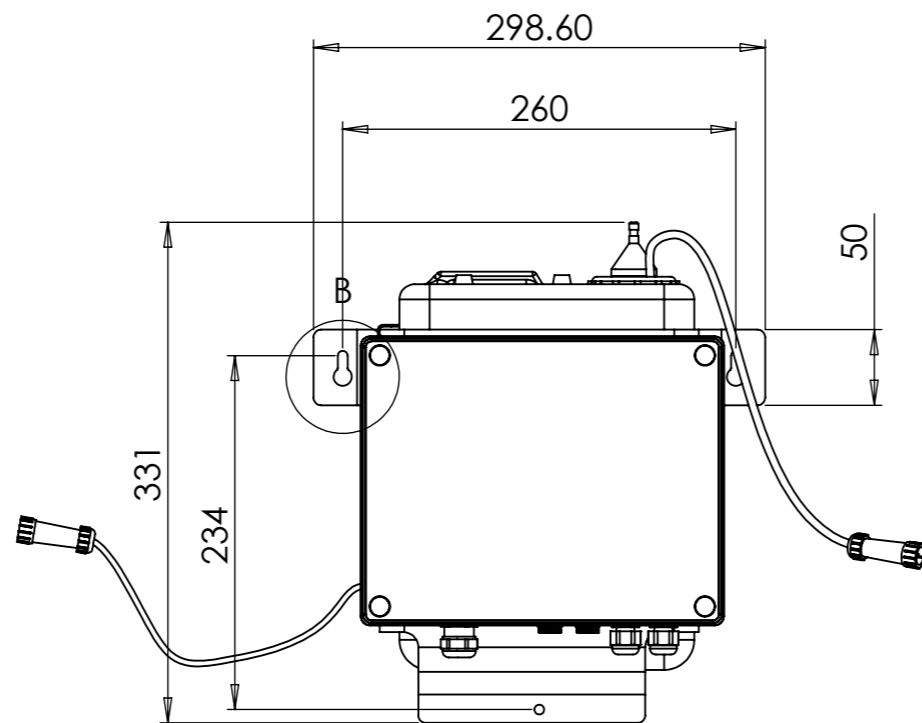
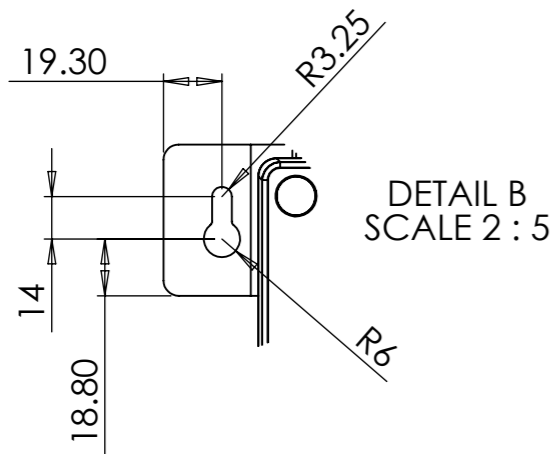


ITS Products Limited
Unit 18 Tavis Business Centre
Pegasus Way, Haddenham,
Buckinghamshire HP17 8ZD UK



UNLESS OTHERWISE SPECIFIED: DIMENSIONS ARE IN MILLIMETERS SURFACE FINISH: TOLERANCES: LINEAR: ANGULAR:		FINISH: Natural (DP1)		DEBURR AND BREAK SHARP EDGES		DO NOT SCALE DRAWING		REVISION 2	
DRAWN		NAME		SIGNATURE		DATE		TITLE:	
CHK'D						03/06/2020		WA-5-S Washer	
APPV'D								DWG NO. WA-S-5 Drawing	
MFG								A3	
Q.A						MATERIAL: Stainless Steel		SCALE:1:5	
						WEIGHT: 2.8kg		SHEET 1 OF 4	

WA-5-S 230v



ITS Products Limited
Unit 18 Tavis Business Centre
Pegasus Way, Haddenham,
Buckinghamshire HP17 8ZD UK



UNLESS OTHERWISE SPECIFIED: DIMENSIONS ARE IN MILLIMETERS SURFACE FINISH: TOLERANCES: LINEAR: ANGULAR:		FINISH: Natural (DP1)		DEBURR AND BREAK SHARP EDGES		DO NOT SCALE DRAWING		REVISION 1	
DRAWN		NAME MM		SIGNATURE		DATE 03/06/2016		TITLE: WA-5-S Washer	
CHK'D		APPV'D		MFG		Q.A		MATERIAL: Stainless Steel	
DWG NO.		WA-S-5 Drawing		SCALE:1:5		SHEET 2 OF 4		A3	